



Instructions

Read these instructions carefully before use and keep them for future reference.
Your child's safety may be affected if you do not follow these instructions.



Read these instructions carefully before use and keep them for future reference. Your child's safety may be affected if you do not follow these instructions.

WARNING: It may be dangerous to leave your child unattended.

Children should be harnessed in at all times and should never be left unattended.

The child should be clear of all moving parts while making adjustments.

This pushchair requires regular maintenance by the user.

Overloading, incorrect folding and the use of non-approved accessories may damage or break this pushchair.

Do not hang shopping bags on the handle or carry shopping bags on the pushchair except in a Graco®-approved shopping basket. Maximum load 5 kg. NEVER ON THE FOOTREST.

It may be unsafe to use accessories e.g. child seats, bag hooks, rain covers, etc. other than those approved by the manufacturer.

Use only replacement parts supplied or approved by the manufacturer.

Be aware of the risk to open fire and other sources of strong heat.

This pushchair is intended for one child only. Use of this pushchair with a child weighing more than 15 kg will cause excessive wear and stress on this pushchair.

This pushchair is intended for one child: with carrycot from birth up to 9 kgs, with Junior Baby/Logico S car seat from birth up to 13 kgs, with seat unit from birth up to 15 kgs.

Do not use raincover on a pushchair, carrycot, or carseat not fitted with a hood.

Always remove carseat from adapter before removing the adapter from the pushchair frame.

Use this pushchair only with Graco® Group 0+ car seats.

Use this pushchair frame only with EVO toddler seat and EVO carrycot.

WARNING: This product is not suitable for running or skating.

WARNING: Ensure that all the locking devices are engaged before use.

WARNING: Check that the EVO toddler seat or Graco Group 0+ attachment devices are correctly engaged before use.

WARNING: Use a harness as soon as your child can sit unaided.

WARNING: Always use the crotch strap in combination with the waist belt.

WARNING: Any load attached to the handle affects the stability of the pram/pushchair.

WARNING: Regularly lubricate all moving parts sparingly with a light general purpose machine oil, making sure that the oil penetrates between the components that move together in use.

Check the various safety devices and use them correctly.

Pushchairs should be serviced after an extended period of no use.

If your pushchair is used by anyone unfamiliar with it, e.g. grandparents, always show them how it works.

Do not use a raincover indoors, in a hot atmosphere or near a direct heat source-baby may overheat.

Please fully remove raincover before folding the pushchair.

Do not let go of your pushchair when close to roads or trains, even with the brake ON, the draught from the vehicle or train may move a free standing pushchair.

When ascending or descending stairs or escalators, always remove your child and fold the pushchair.



Avoid strangulation. DO NOT suspend strings from your pushchair or place items with strings on your child.

To avoid tipping, always help your child in and out of toddler seat.

When making adjustments to your pushchair, always be sure that all parts of your child's body are clear of any moving parts.

Always remove child from carseat, carrycot or toddler seat when reversing the direction of these products on the pushchair frame.

Do not carry pushchair frame up stairs when using with child in toddler seat, carrycot or carseat.

STROLLER

REMOVABLE SEAT PAD. To clean removable seat pad hand wash.

WHEN USING YOUR PUSHCHAIR at the beach, completely clean your pushchair afterwards to remove sand and salt from the wheel assemblies.

FROM TIME TO TIME CHECK YOUR PUSHCHAIR for loose screws, worn parts, torn material or stitching. Replace or repair the parts as needed.

DISCONTINUE USING YOUR PUSHCHAIR should it become damaged or broken.

TO CLEAN PUSHCHAIR FRAME, use only household soap or detergent and warm water. **NO BLEACH, SPIRIT OR ABRASIVE CLEANERS.** Allow to dry before storing.

To clean raincover hand wash. **DO NOT BLEACH.**

To clean baby bag, wipe with damp cloth. **DO NOT BLEACH.**

To clean foot muff, hand wash and drip dry.

DO NOT BLEACH.

EXCESSIVE EXPOSURE TO THE SUN could cause premature fading of pushchair plastic and fabric.



CARRYCOT

WARNING: Carrycot to be used only with the EVO pushchair.

WARNING! This product is only suitable for a child who cannot sit up unaided, roll over and cannot push itself up on its hands and knees. Maximum weight of the child : 9kg.

WARNING: DO NOT use if any part is broken torn or missing. Use only replacement parts supplied and approved by the manufacturer. It may be unsafe to use accessories e.g. child seats, bag hooks, raincovers, etc. other than those approved by Graco®.

Be aware of the risk of open fire and other source of strong heat, such as electric bar fires, gas fires, etc. in the vicinity of the carrycot.

Use only on a firm, horizontal level and dry surface.

WARNING: Never use this carrycot on a stand.

WARNING: always ensure the brake is ON before you position the carrycot.

WARNING: It may be dangerous to leave your child unattended.

Carrycot is NOT to be used for long term sleeping.

WARNING: Do not add an additional mattress other than the one provided.

Never put the carrycot on a different chassis from the one sold and approved by the manufacturer.

Always ensure the brake is ON when putting the baby into the pram and taking him out.

WARNING: To avoid danger of suffocation remove plastic covers before use. This cover should be destroyed or kept away from babies and children.

WARNING: We advise you to read these instructions carefully and to familiarize yourself with the product before use. Keep these instructions so that you can refer to them later.

WARNING: Ensure that all the locking devices are correctly engaged before use.

Never attempt to use this carrycot without fastening it onto the pushchair as specified in these instructions.

Do not add to or modify the carrycot in any way.

This could render the carrycot unsafe.

Periodically inspect the carry cot for wear, paying particular attention to the attachment points.

The handles and the bottom should be inspected regularly for signs of damage and wear. Do not place the carrycot on high surfaces, such as tables, worktops, beds, etc, due to the risk of falling.

WARNING: Do not let other children play unattended near the carrycot.

The carrycot complies with EN 1466:2004.

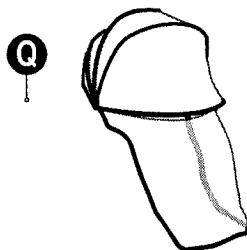
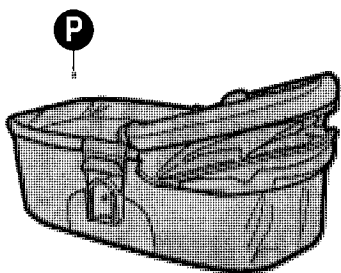
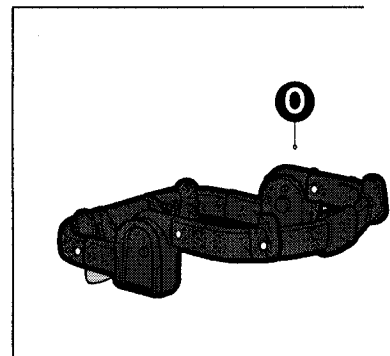
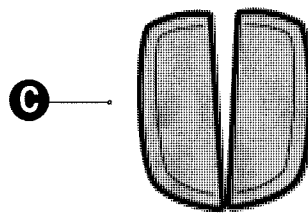
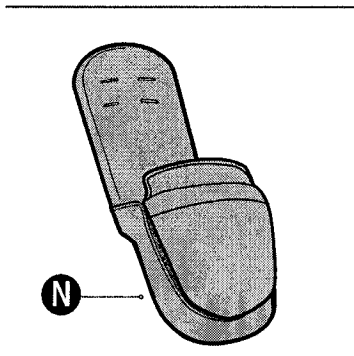
CARRYCOT

CLEANING: After removing mattress pad from liner, hand wash, drip dry, NO BLEACH.

Only use a damp cloth to clean the mattress pad.

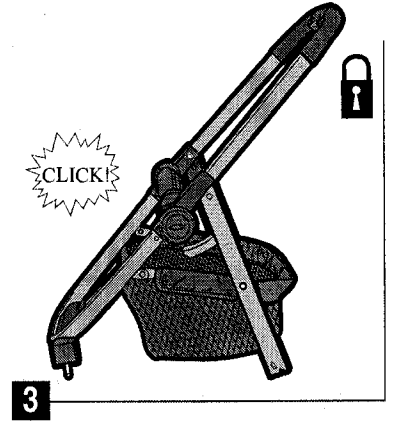
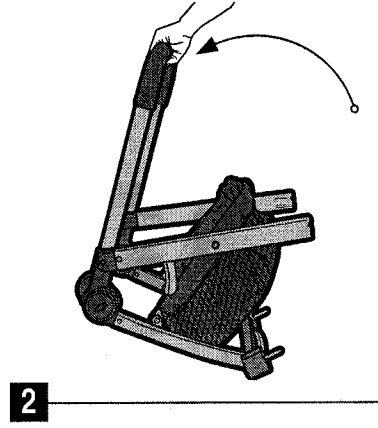
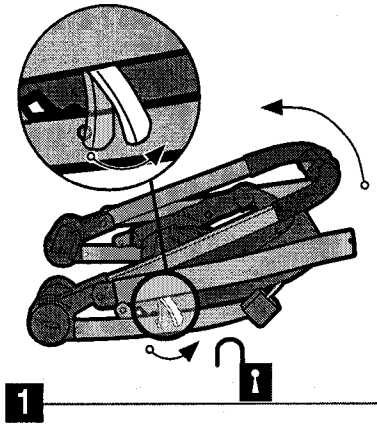
Never iron.

{ GRACO EVO }

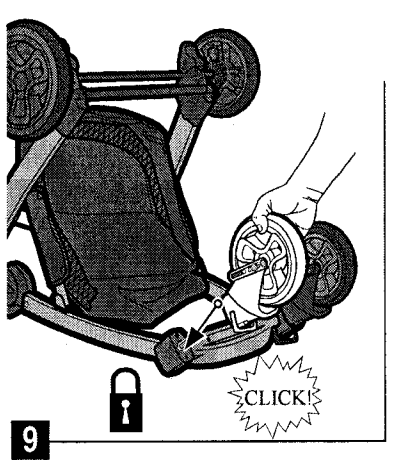
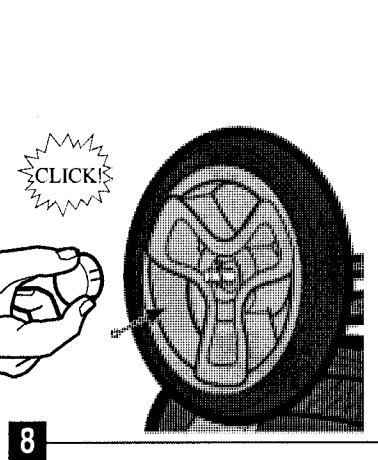
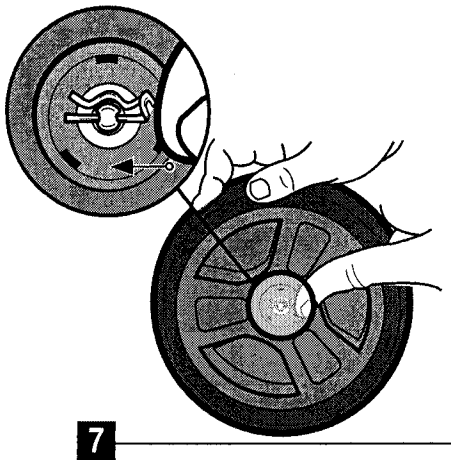
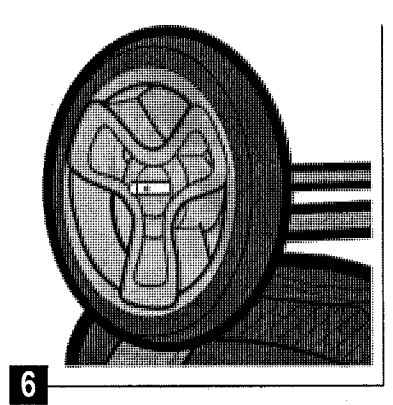
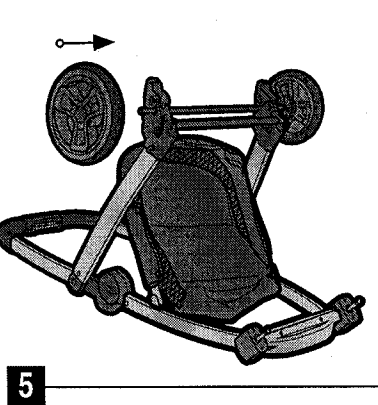
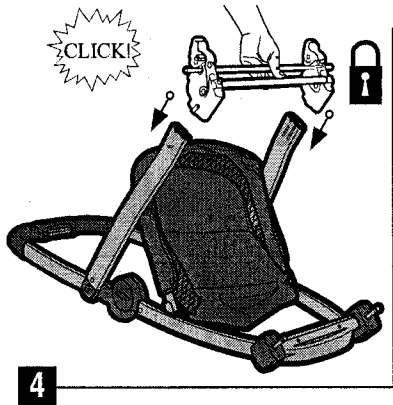


- A** → Hood
- B** → Seat pad
- C** → Harness covers
- D** → Arm Bar
- E** → Harness
- F** → Swivel wheel lock
- G** → Wheel release button
- H** → Front wheel
- I** → Basket
- J** → Rear wheel
- K** → Brake
- L** → Footrest adjustment button
- M** → Handle release
- N** → Footmuff (Sold Separately, on certain models)
- O** → Carseat adapter (Sold Separately, on certain models)
- P** → Carrycot (Sold Separately, on certain models)
- Q** → Toddler seat raincover

{Assembling Pushchair Frame}

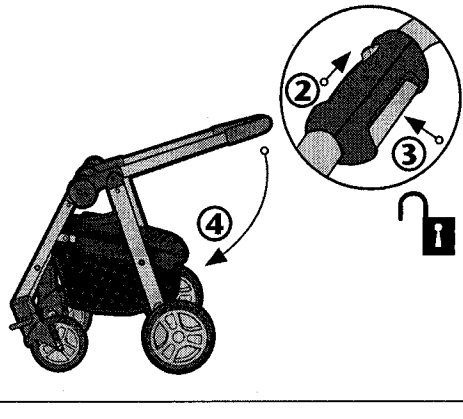
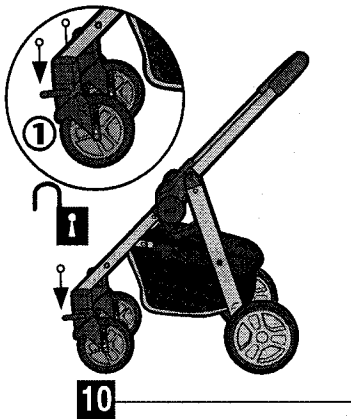


{Wheels}

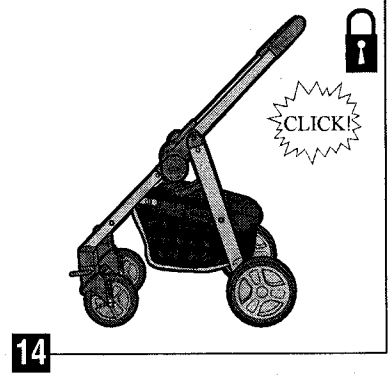
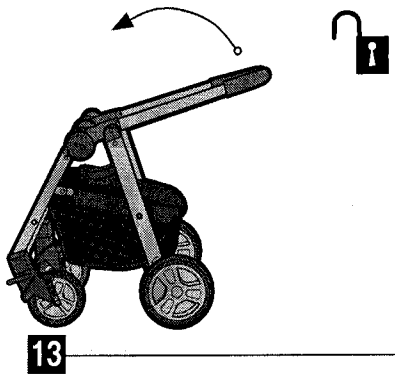
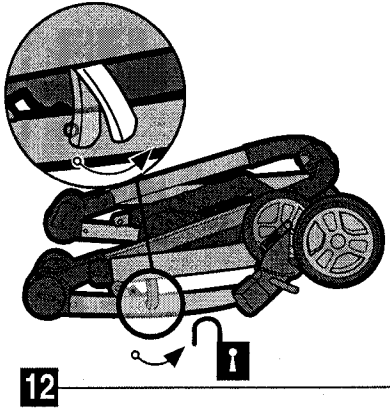


{Folding Your Pushchair}

{Storage Latch}

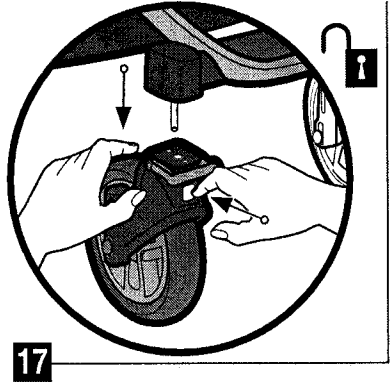
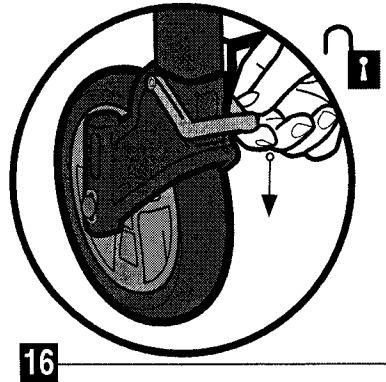
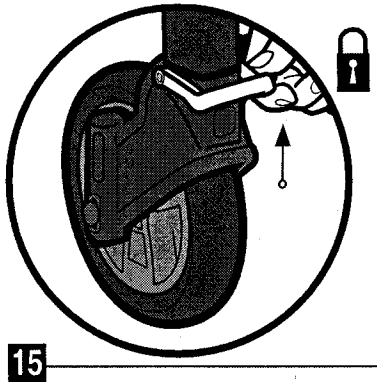


{Unfolding Your Pushchair}

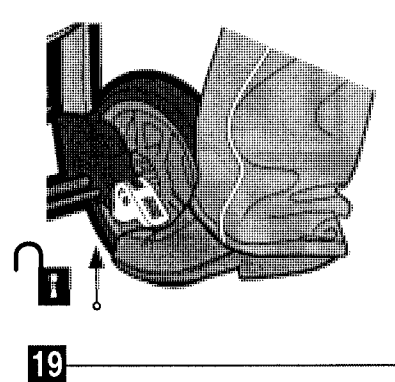
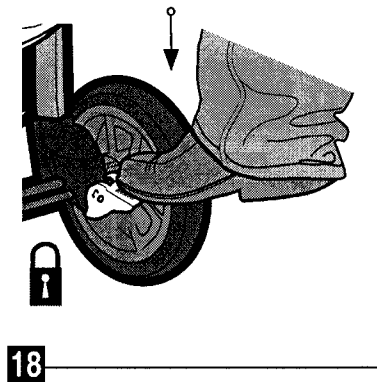


{Swivel Wheels}

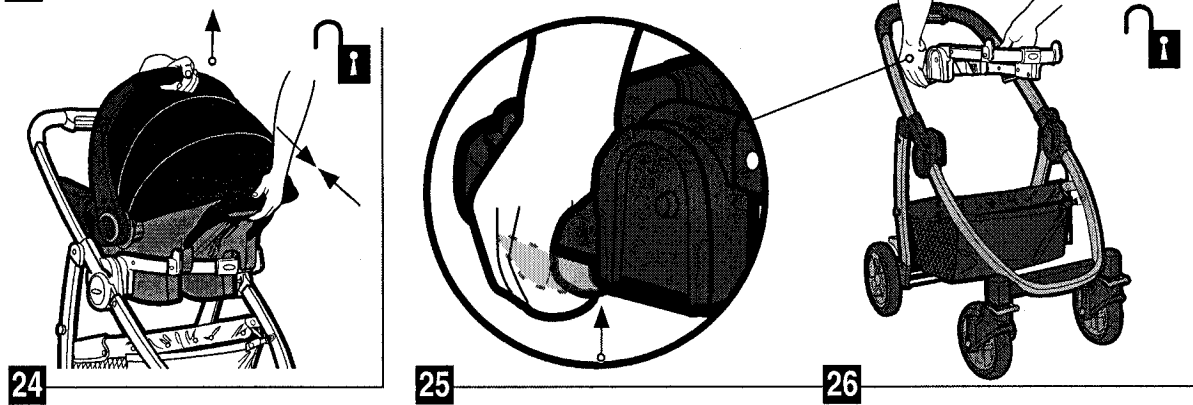
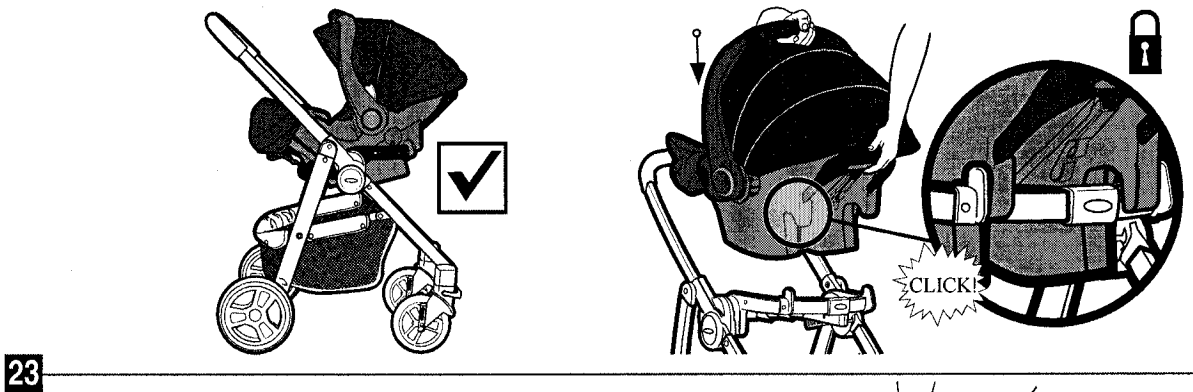
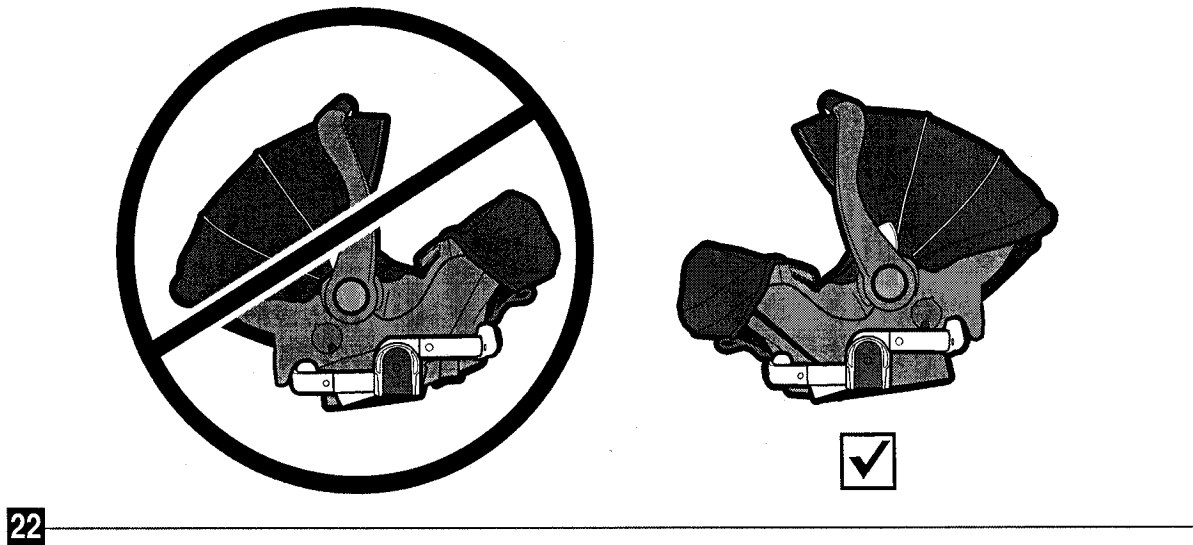
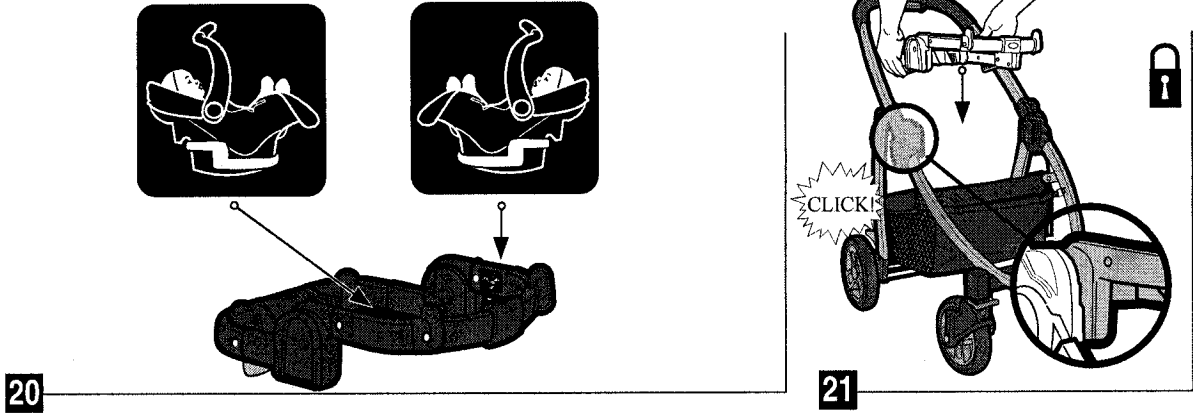
{To Remove Front Wheels}



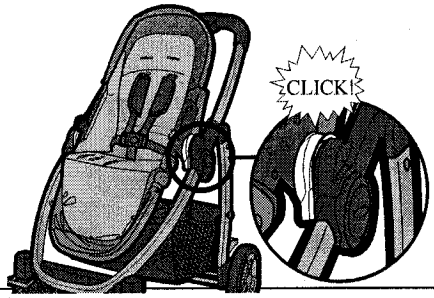
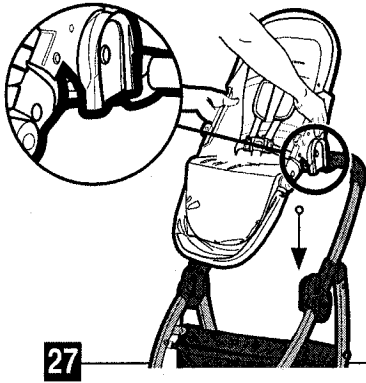
{Brakes}



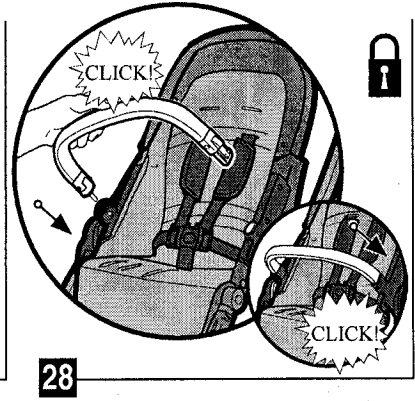
{Using with Infant Carseat (sold separately, on certain models)}



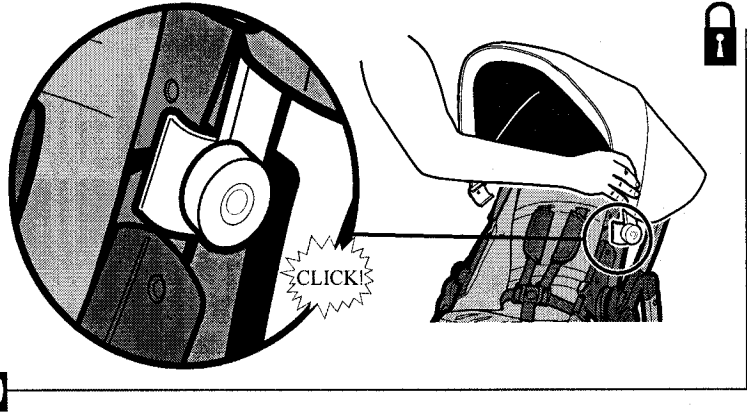
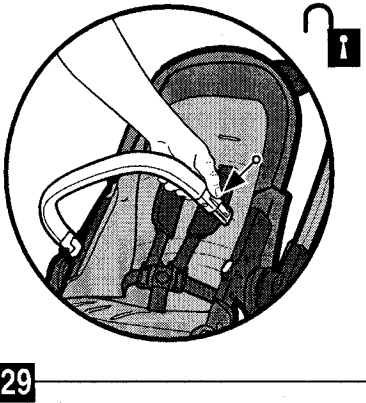
{Using Toddler Seat}



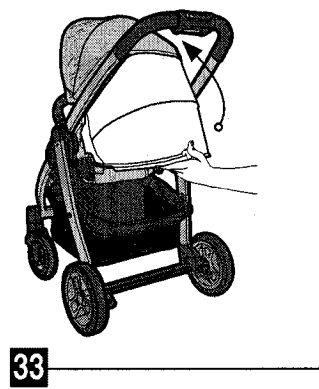
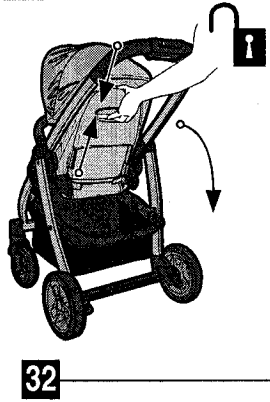
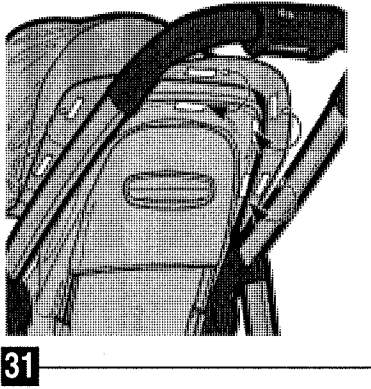
{Armbar}



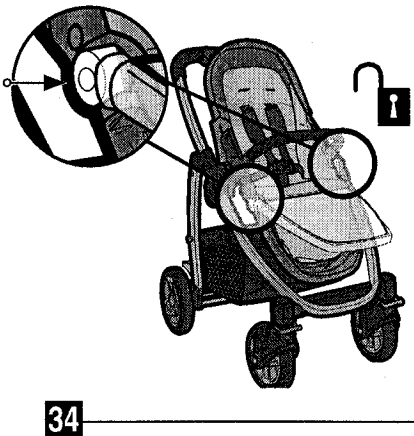
{Hood}



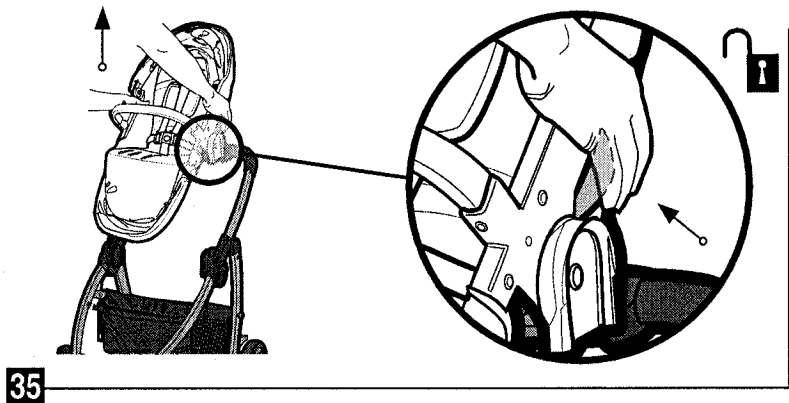
{Reclining Seat}



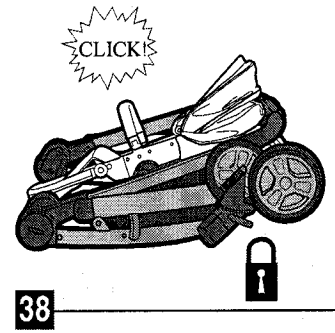
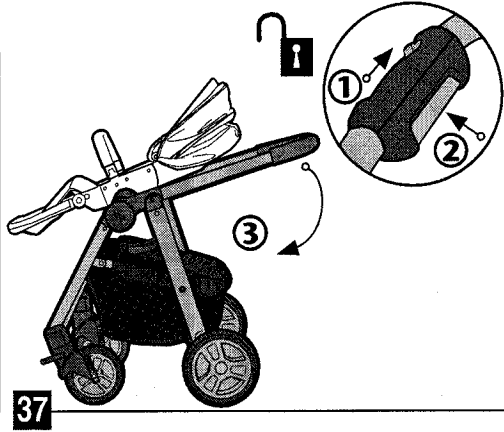
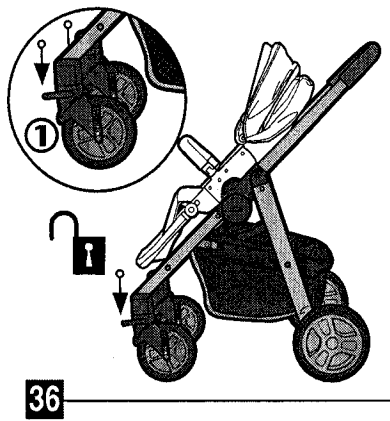
{Adjusting Footrest}



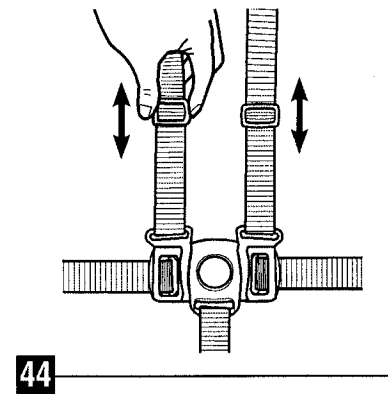
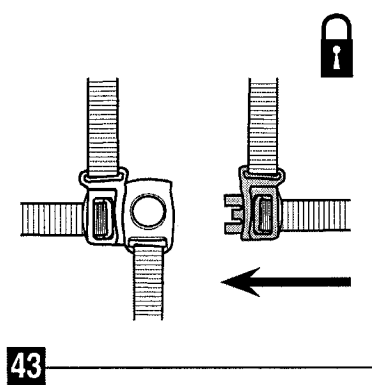
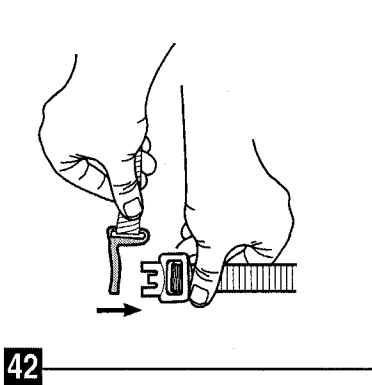
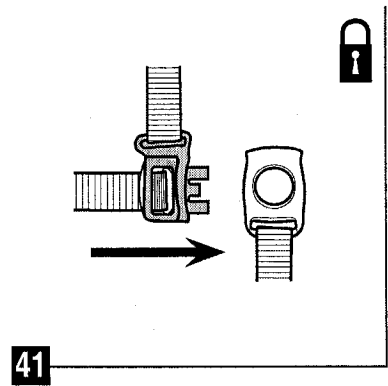
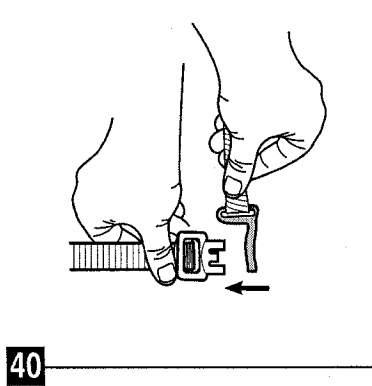
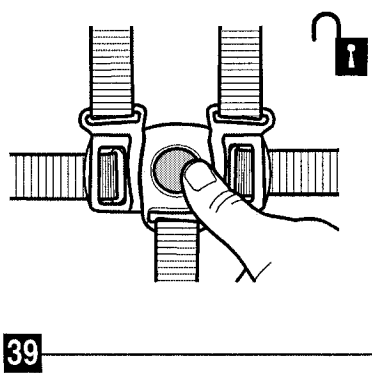
{Removing Seat From Frame}



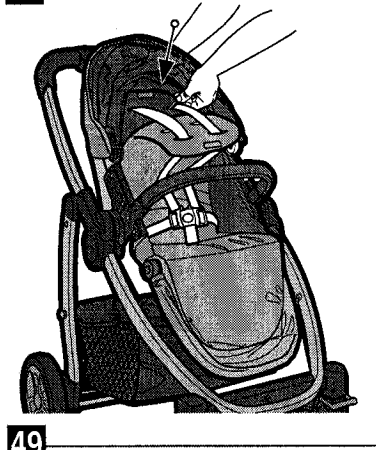
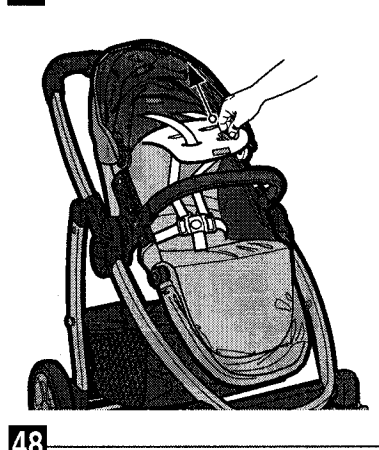
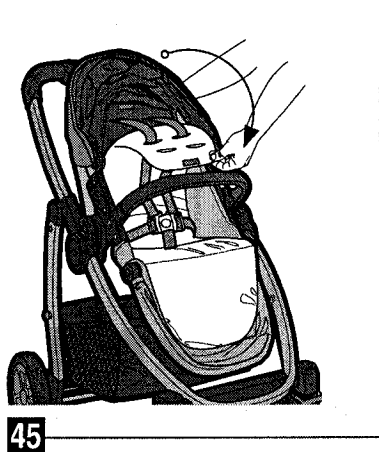
Folding with Toddler seat attached



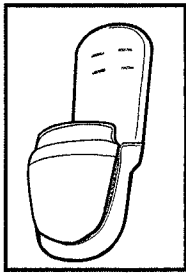
Securing Your Child



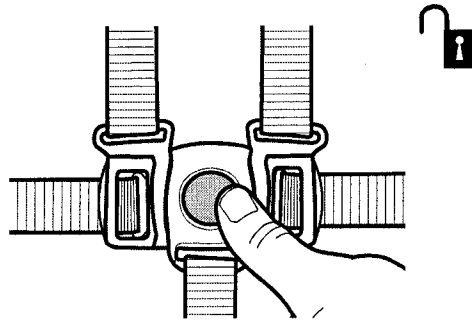
{Adjusting Harness Height Position}



{Using the Footmuff (on certain models)}



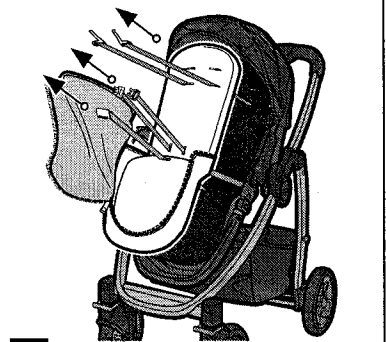
51



52



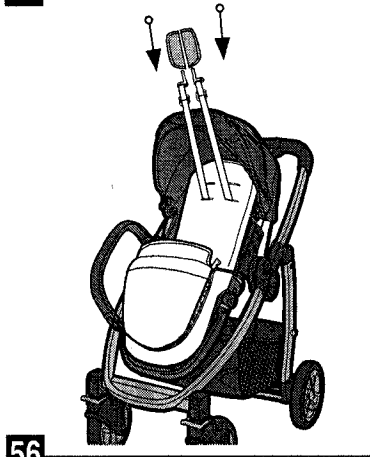
53



54



55

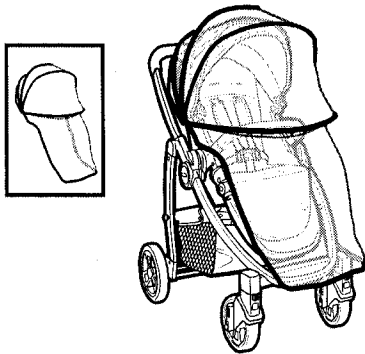


56



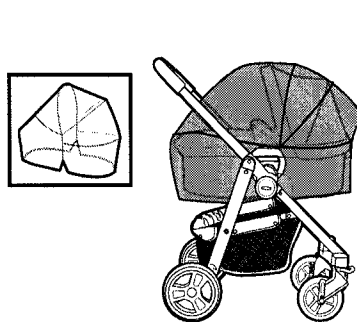
57

{Using the Toddler Seat Raincover}



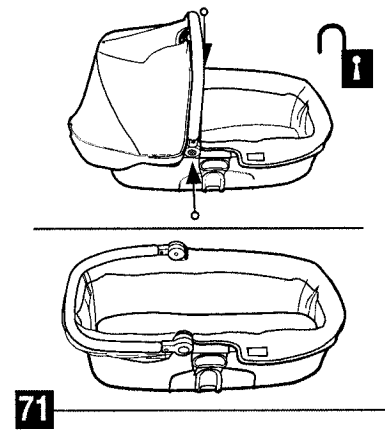
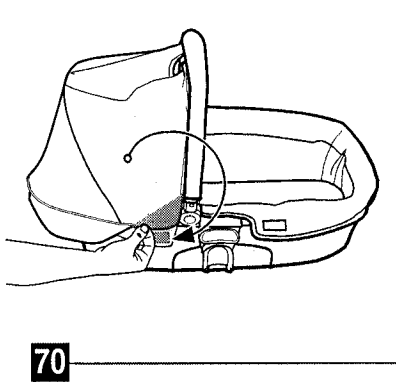
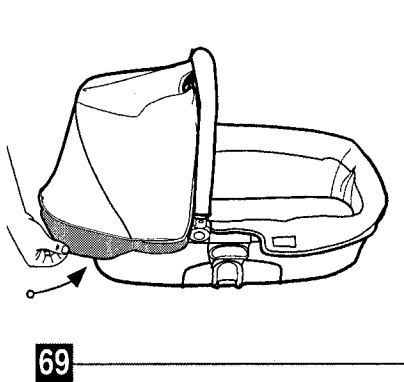
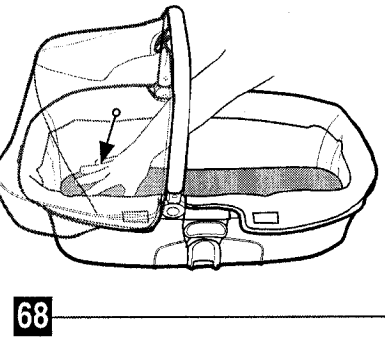
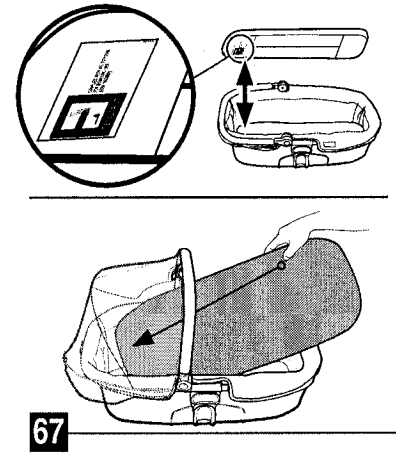
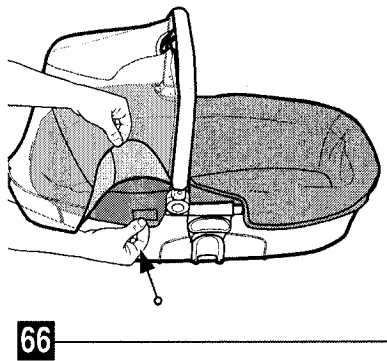
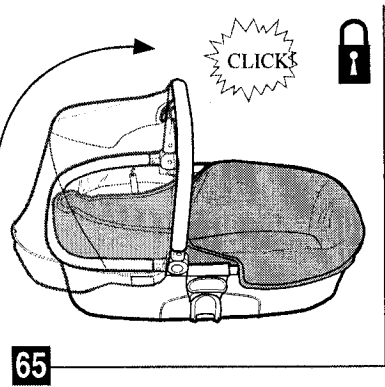
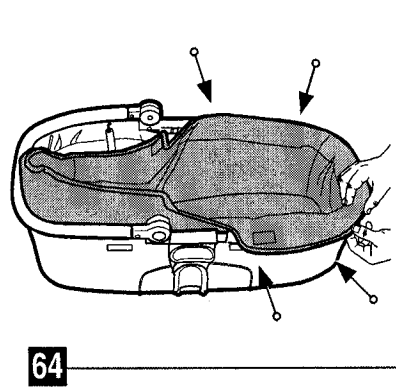
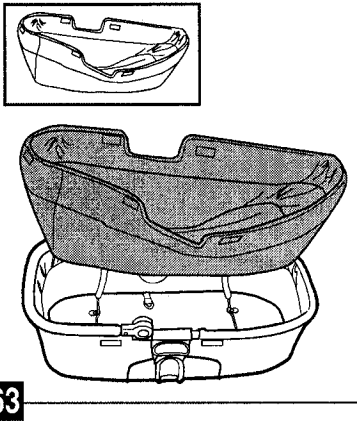
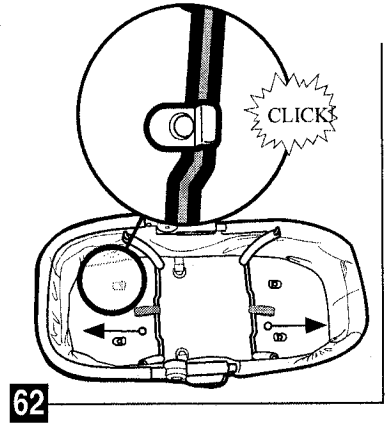
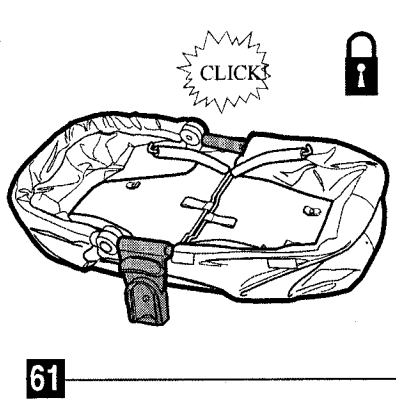
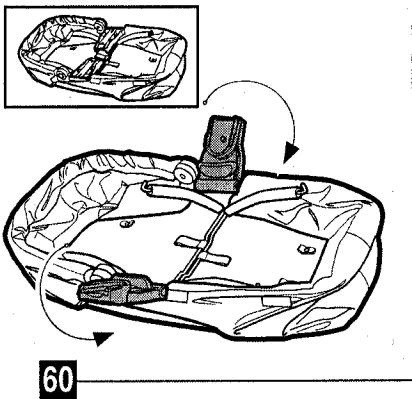
58

{Using the Carrycot Raincover (on certain models)}

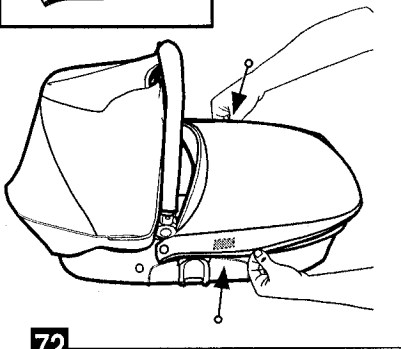
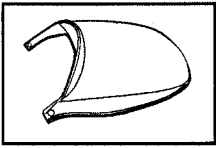


59

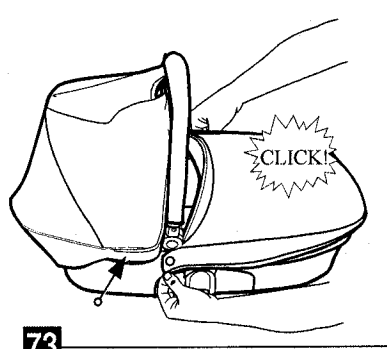
{ Carrycot Assembly (Sold separately, on certain models) }



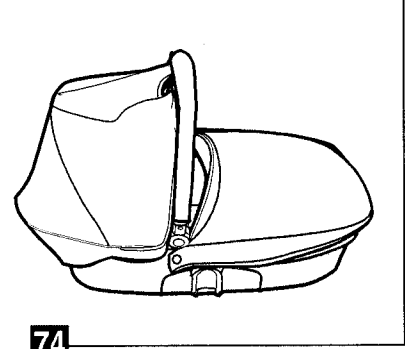
{Attaching Apron}



72

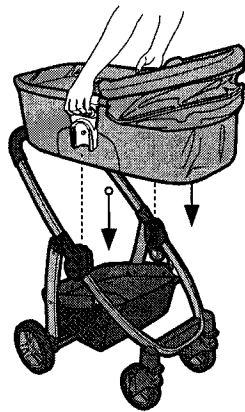
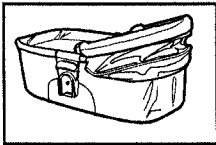


73

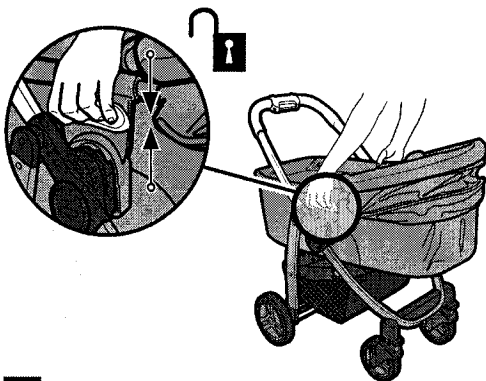


74

{Attaching to Pushchair (Sold separately, on certain models)}



75



76



Complies with the EN 1888 :2003
Entspricht EN 1888 :2003
A megfelel a EN 1888 :2003 szabványnak
Vyhovuje po iadavkám normy EN 1888 :2003
Modsvarer EN 1888 :2003
Överensstämmer med EN 1888 :2003
Standardien EN 1888 :2003 mukainen
I samsvar med EN 1888 :2003
Соответствует стандарту EN 1888 :2003
Odpowiada wymogom normy EN 1888 :2003
Splňuje požadavky normy EN 1888 :2003
Πληροί το πρότυπο: EN 1888 :2003
В съответствие с EN 1888 :2003
Corespunzător normelor de calitate EN 1888 :2003
Vastab EN 1888 :2003 standardile
Atitinka EN 1888 :2003
Atbilst EN 1888 :2003
2003: 1888EN مطابقة لمواصفات
Oprema je u skladu sa standardom EN 1888 :2003
U saglasnosti sa EN 1888 :2003
Ustreza standardu EN 1888 :2003



UK GRACO CONSUMER SERVICES

Newell Rubbermaid
Graco Children's Product
Halfax Avenue
Fradley Park
Lichfield WS13 8SS
United Kingdom

Consumer Service Desk (UK enquiries only)

Dialling from UK: 0844 412 1212

Dialling from ROI: 0818 221 422

www.graco.co.uk

GRACO CONTINENTAL EUROPE

Newell Rubbermaid
France SAS
18 Avenue Du Guimand
26120 Malissard
France

www.gracobaby.eu

Newell Rubbermaid Europe Sarl

Chemin de Blandonnet 10
CH-1214 Vernier / Geneva